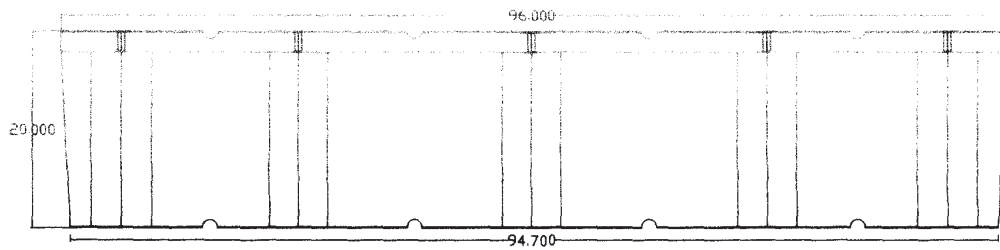
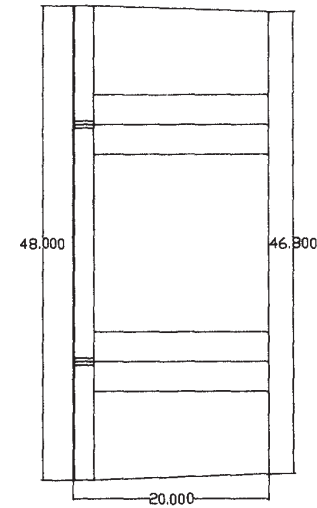
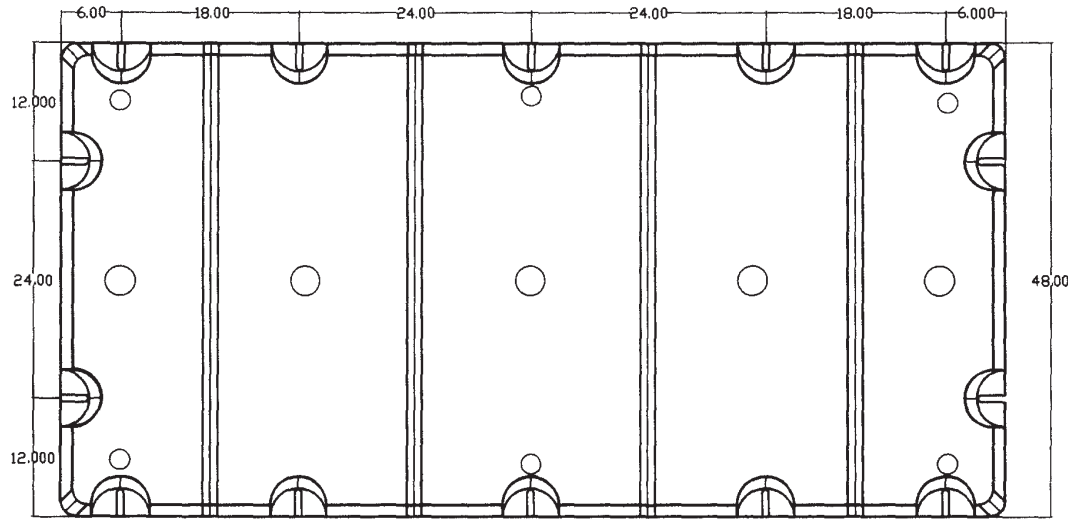


Rev	Date	By



NOTE: All dimensions are nominal. Due to shrinkage actual pins will be approx 1/2 less than shown.

Nominal Wall Thickness 0.15

UNLESS OTHERWISE SPECIFIED INCHES UNSPECIFIED TOLERANCES		HENDREN PLASTICS INC 1607 HWY 72 SE Gravette, AR 72736	
DECIMALS	mm	in	
.x		± .1	
.xx		± .06	
.xxx		± .063	
DRAWN BY: JMH		DATE: 8-20-08	
MATERIAL:		TYPE:	
PART NAME: 48X96X20 Eagle Float			
DESIGNED FOR:		REV:	
A		PART NO. 4820EF	

CONFIDENTIALITY NOTICE: This drawing is the sole property of Hendren Plastics Inc. It is intended only for the use of the individual or entity whose name appears on this drawing. Any unauthorized review, use, disclosure, or distribution is prohibited.