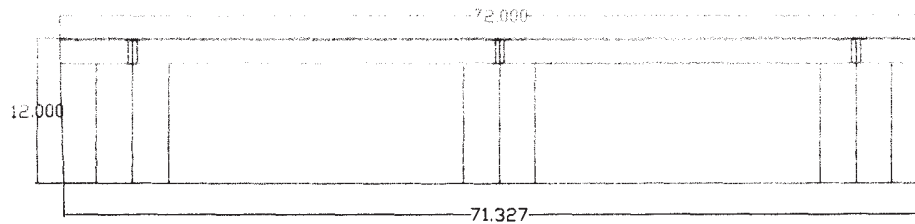
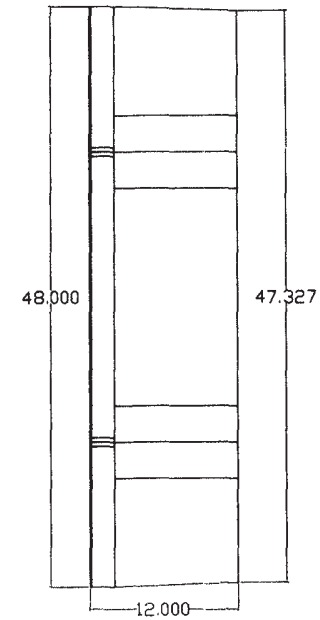
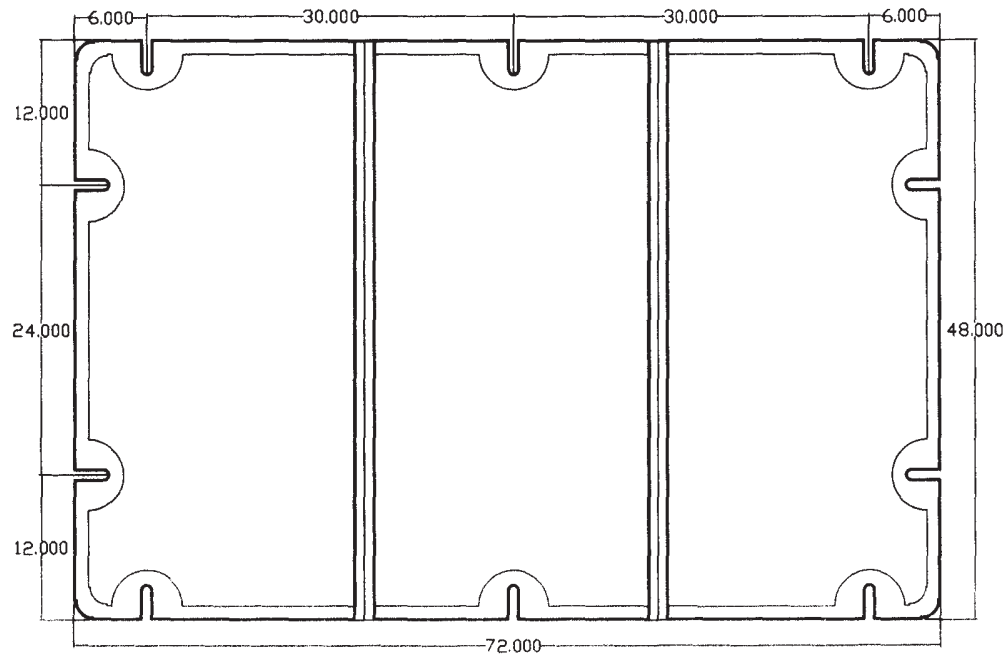


Rev	Date	By



NOTE: All dimensions are nominal. Due to shrinkage actual dims will be approx 1% less than shown.

Nominal Wall Thickness 0.15

UNLESS OTHERWISE SPECIFIED INCHES		HENDREN PLASTICS INC	
UNSPECIFIED TOLERANCES		1607 HWY 72 SE	Gravette, AR 72736
DECIMALS	mm in	DRAWN BY: JMH	DATE: 11-12-08
.x	±.1	MATERIAL: _____ TYPE: _____	
.xx	±.06	PART NAME: 48X72X12 Eagle Float	
.xxx	±.063	DESIGNED FOR: _____	
		Δ PART NO. 4612EF	REV: _____

CONFIDENTIALITY NOTICE: This drawing is the sole property of Hendren Plastics Inc. It is intended only for the use of the individual or entity whose name appears on this drawing. Any unauthorized review, use, disclosure, or distribution is prohibited.